

980 nm Pump Laser Module Unstabilised 100-220 mW

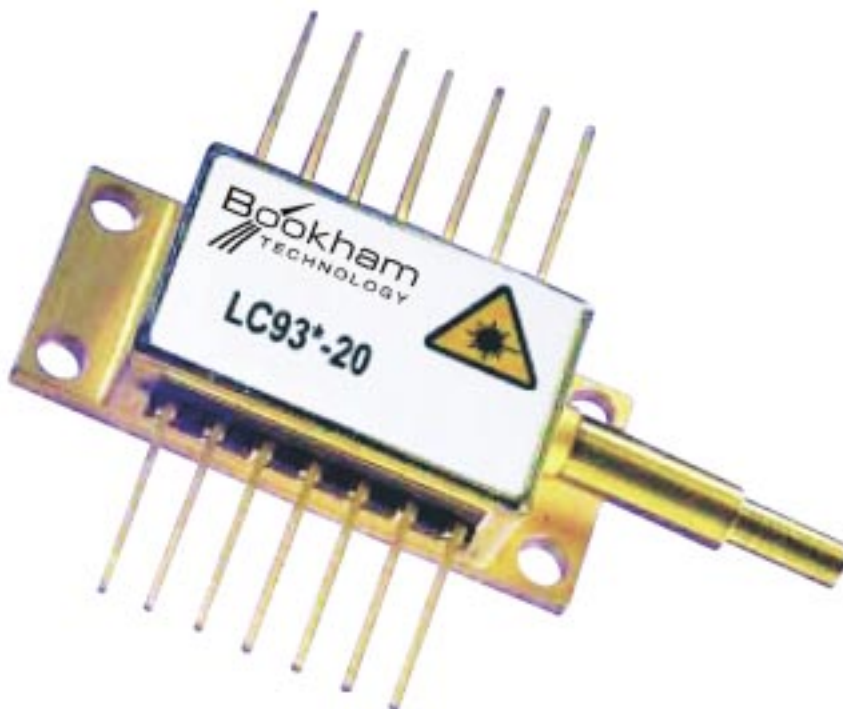
These lasers are designed as pump sources for Erbium-Doped Fibre Amplifier (EDFA) applications. Proprietary processes and techniques of coupling the fibre to the laser allow high output powers which are very stable with both time and temperature. Devices are available with kink free output powers from 100 mW to 220 mW.

Features

- Wavelength 975-985 nm
- Output power up to 220 mW
- Single mode fibre pigtail
- Internal thermoelectric heatpump and monitor photodiode.
- Hermetically sealed 14-pin butterfly package.
- Telcordia GR-468-CORE compliant.
- Field proven high reliability.

Applications

- Low noise, high power EDFA



Characteristics

Conditions unless otherwise stated: Case temperature -20 to + 75°C
 Submount temperature 25°C
 Monitor diode bias -5 V
 CW operation

Kink free fibre-coupled output power:	LC93C-20	100 mW	LC93D-20	110 mW
	LC93E-20	120 mW	LC93F-20	130 mW
	LC93G-20	140 mW	LC93H-20	150 mW
	LC93J-20	160 mW	LC93K-20	170 mW
	LC93L-20	180 mW	LC93M-20	190 mW
	LC93N-20	200 mW	LC93P-20	210 mW
	LC93R-20	220 mW		

Parameter	Min	Typ	Max	Unit
Threshold current (I_{th})		25	35	mA
Operating drive current (I_f) C, D, E F, G H, J, K L, M, N P, R			250 300 350 400 450	mA
Forward voltage		1.8	2.5	V
Peak wavelength(λ_p)	975		985	nm
Power in wavelength band 975-985 nm	85	95		%
Monitor detector responsivity	1	8	25	$\mu\text{A/mW}$
Monitor dark current			50	nA
Thermistor resistance (at 25°C)	9.5	10	10.5	k Ω
Intended laser submount operating temperature	20	25	30	°C
Laser temperature, R = 10 k Ω	23.5		26.5	°C
Heatpump current ($\Delta T = 50^\circ\text{C}$)			1.3	A
Heatpump voltage ($\Delta T = 50^\circ\text{C}$)			2.8	V

Absolute Ratings

Parameter	Min	Max	Unit
Operating temperature	-20	75	°C
Storage temperature	-40	85	°C
Laser forward current		700	mA
Laser reverse voltage		2	V
Heatpump current		1.5	A
Lead soldering temperature (10s max)		260	°C
Fibre bend radius	30		mm

Outline Drawing

Dimensions are in mm.

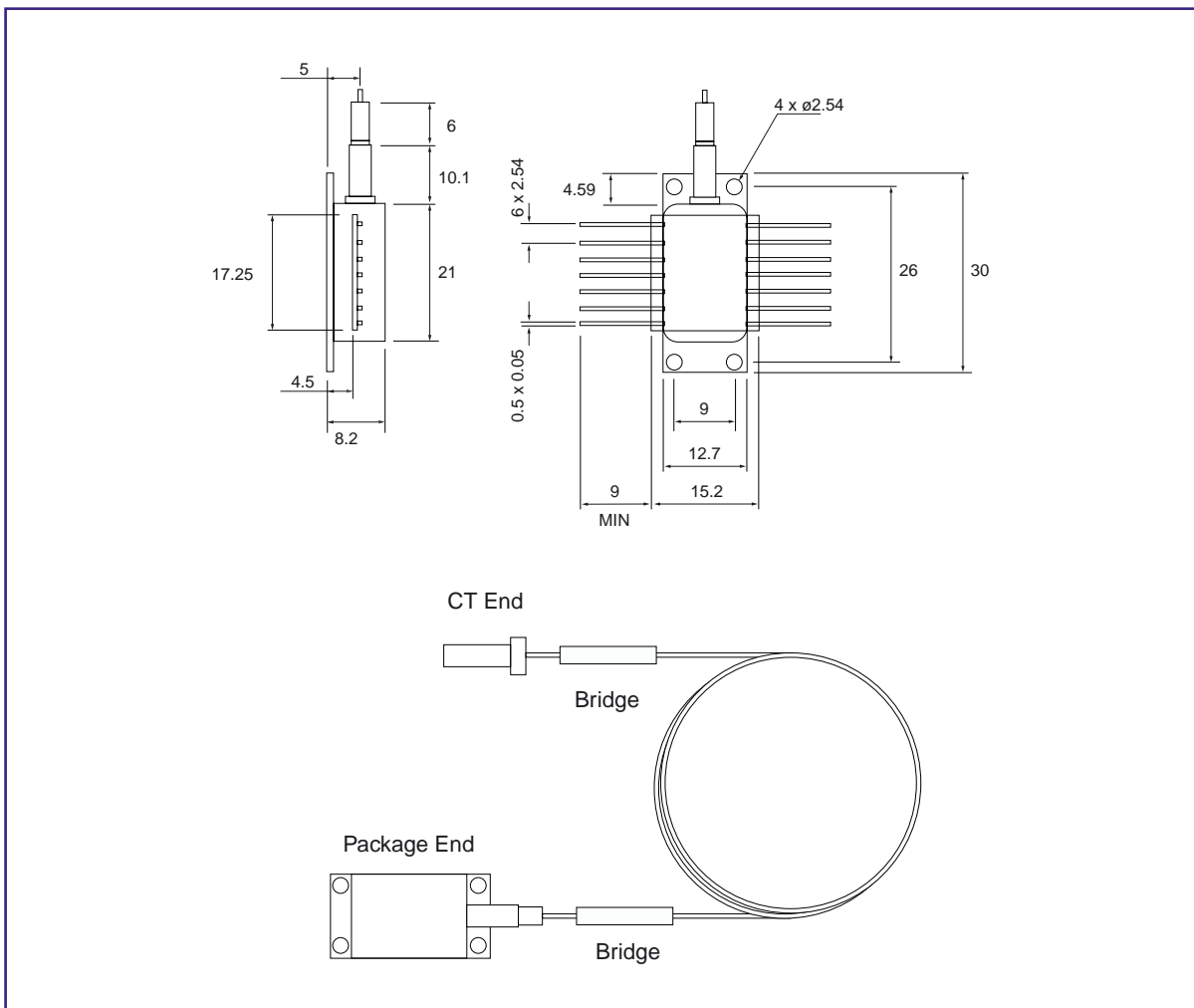


Figure 1: Package Outline Drawing and Dimensions

Fibre Specification

Puremode HI980 fibre or equivalent 250 μm primary coated with 900 μm removable protective sleeve, length 1m min.
 Fibre termination: Angled ceramic ferrule (CT connector).

Connections

Pin #	Description	Pin #	Description
1	Peltier cooler (+)	8	Not connected
2	Thermistor	9	Not connected
3	Monitor anode (-)	10	Laser anode (+)
4	Monitor cathode (+)	11	Laser cathode (-)
5	Thermistor	12	Not connected
6	Not connected	13	Case ground
7	Not connected	14	Peltier cooler (-)

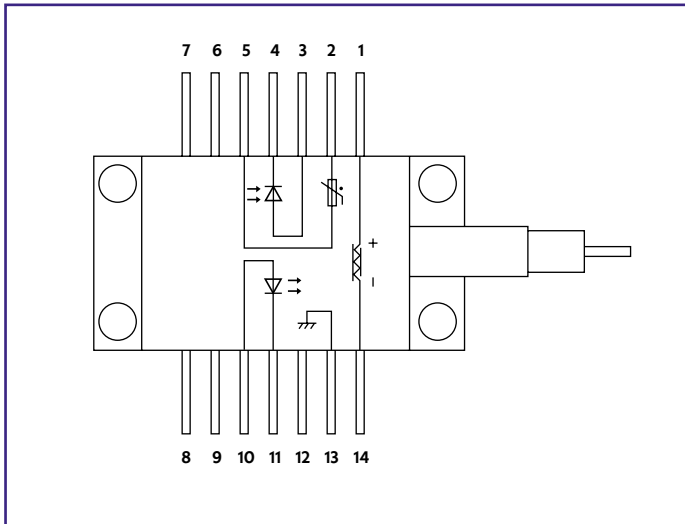
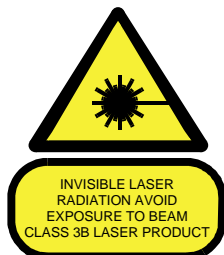


Figure 2: Connections

Ordering Information

Order Code No:

LC93C-20 for 100 mW device	LC93D-20 for 110 mW device
LC93E-20 for 120 mW device	LC93F-20 for 130 mW device
LC93G-20 for 140 mW device	LC93H-20 for 150 mW device
LC93J-20 for 160 mW device	LC93K-20 for 170 mW device
LC93L-20 for 180 mW device	LC93M-20 for 190 mW device
LC93N-20 for 200 mW device	LC93P-20 for 210 mW device
LC93R-20 for 220 mW device	



IEC60825-1: Edition 1.2



THIS PRODUCT COMPLIES WITH 21CFR 1040.10



Thinking optical solutions

North America

Bookham Technology Inc.
49 Buford Highway
Suwanee
GA 30024
USA

- Tel: +1 678 482 4021
- Fax: +1 678 482 4022

Europe

Bookham Technology plc
Brixham Road
Paignton
Devon
TQ4 7BE
UK

- Tel: +44 (0) 1803 66 2875
- Fax: +44 (0) 1803 66 2801

Asia

Bookham Technology plc
21/F Cityplaza One
1111 King's Road
Quarry Bay
Hong Kong

- Tel: +852 (2100) 2249
- Fax: +852 (2100) 2585

Sales@bookham.com

Important Notice

Bookham Technology has a policy of continuous improvement, as a result certain parameters detailed on this flyer may be subject to change without notice. If you are interested in a particular product please request the available from any Bookham Technology sales representative.